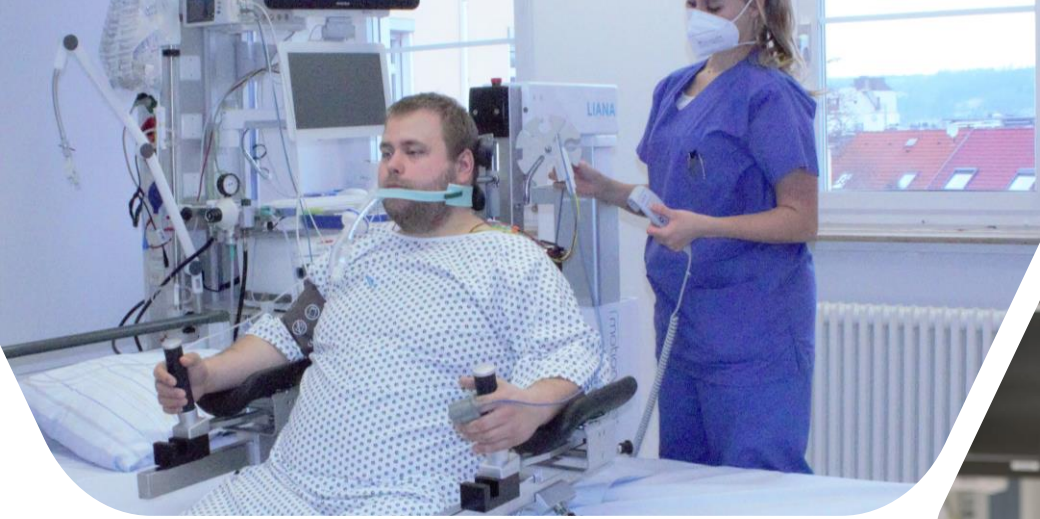




LIANA.

Professional early mobilization
on the edge of the bed
using our
Seat- and Stand-Stabilizer



Boris Badertinov
(Hospital Barmherzige Brüder)
Specialised medical professional
Idea provider and co-developer



LIANA.

Developed by
medical professionals
for medical professionals!

Relieve your
care staff !

Using the seat- and stand-stabilizer **LIANA**. Easy and effective mobilization on the edge of the bed !

The movement of patients in need of intensive medical care is one of the greatest physical challenges, which a nurse has to master everyday. The transfer of patients out of the bed to start the mobilization process (AEDI's) involves considerable physical stress and is embarrassing - on both sides. With LIANA, a genuine innovation in the care sector, MOTIONCARE® offers the right approach to simplify this work clearly visible in care centers, intensive care units as well as in the home care sector.

The seat- and stand-mobilizer LIANA supports the mobilization process directly on the edge of the bed. The bedridden patient can be mobilised without any physical exertion. For example, to prepare the patient for the therapy, change his visual field or to mobilize him on the edge of the bed.

Time studies in collaboration with leading clinics have shown that the mobilization process directly on the edge of the bed is much more efficiently than the conventional mobilization. Many thanks to our 20 pilot hospitals for the very good support.

Result of the time study:

A time reduction of more than 160 h/month* with substantially reduced physical strain for medical professionals!

* Under assumed 7 mobilization / day.



For your patients!

Mobilization with the support of LIANA is effected by the highest quality standards and requirements in patient safety. LIANA represents a facilitation for all sides.

In addition to the purely practical benefits for hospitals and care centers, LIANA from MOTIONCARE® has also a positive effect on patients. The result is a lower delir rate, a reduced delir duration, an improvement in motor symptoms as well as better cognitive functions and a stabilization of pulmonary and cordial functions.

Therapeutic benefits, that goes beyond the basic functions as care aid.

Sitting

www.systems-for-life.com



LIANA.

Professional and effective early mobilization on the edge of the bed

Standing

www.systems-for-life.com





1 Ergonomic headrest, backrest and lumbar support:

- upholstered
- Individually adjustable
- easy to disinfect

2 Ergonomic armrests and handholds:

- upholstered
- individually configurable according to the patient's anatomical features

3 Stabilizer straps and fall protection:

- upholstered
- removeable
- universal for all seat widths
- easy to disinfect

4 Table:

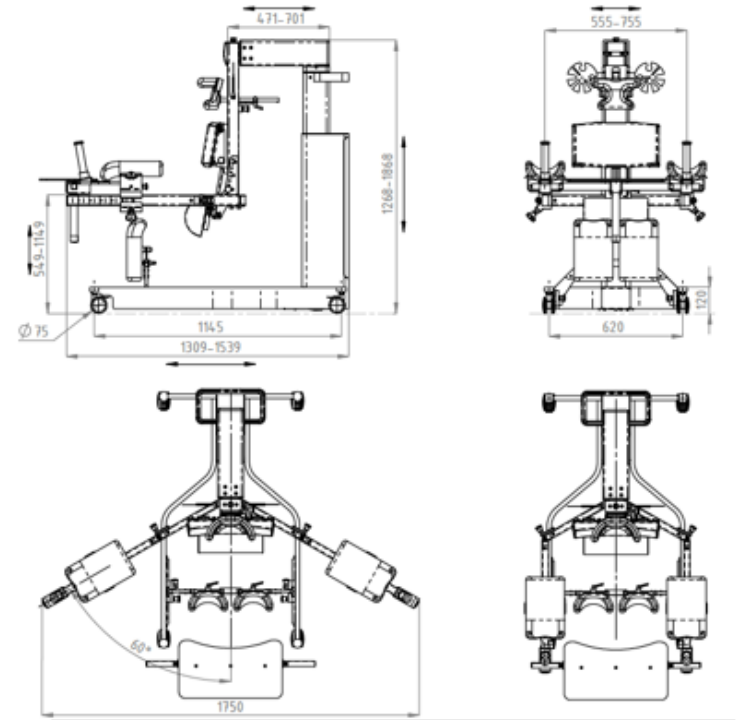
- removeable
- universal for all seat widths

5 Motor-driven adjustment of the columns (horizontal and vertical)

- handswitch
- column keypad
- double emergency exit

6 Ergonomic legrests

- upholstered
- Individually adjustable
- to fix the legs



motioncare
SYSTEMS FOR LIFE
A BRAND BY *asp group*

Distribution:

ASP GmbH

Zum Kalkofen 24

57439 Attendorn

Phone: +49 (0) 2722 63596-24

info@systems-for-life.com

www.systems-for-life.com

Standing

LIANA.

EFFECTIVE &
PROFESSIONAL
EARLY MOBILIZATION
ON THE EDGE OF THE BED

Sitting

only
costs
<9,00 €/
day! *

Save up to 160 working hours/month**

Mobilize your patients

Protect your personnel

motioncare®
SYSTEMS FOR LIFE

A BRAND BY asp
HAI Group

Support of early mobilization on the edge of the bed

